



Capacity from 3 kg to 50 kg



- ALUMINUM ALLOY
- COMBINED ERROR $\leq \pm 0.02\%$ (0.017% C4; 0.014% C5)
- PROTECTION CLASS IP65

CAPACITY	kg	ACCURACY CLASS					EAC	EAC Ex	PLATFORM DIMENSION (mm)	NET WEIGHT OF LOAD CELL (kg)	CODE
		C3	C4	C5							
3		•	•	•	•	•	•	250 x 350	0.2	ALL3	
5		•	•	•	•	•	•	250 x 350	0.2	ALL5	
10		•	•	•	•	•	•	250 x 350	0.2	ALL10	
15		•	•	•	•	•	•	250 x 350	0.2	ALL15	
20		•	•	•	•	•	•	250 x 350	0.2	ALL20	
30		•	•	•	•	•	•	250 x 350	0.2	ALL30	
50		•	•	•	•	•	•	250 x 350	0.2	ALL50	

ON REQUEST

CERTIFICATIONS



OIML R60 C3

CERTIFICATIONS ON REQUEST



ATEX II 1GD (zone 0-1-2-20-21-22)



IECEx (zone 0-1-2-20-21-22)



OIML R60 C4/C5



Complies with the Eurasian Custom Union standards



Complies with the Eurasian Custom Union standards for use in potentially explosive atmospheres

COMPLEMENTARY ACCESSORIES



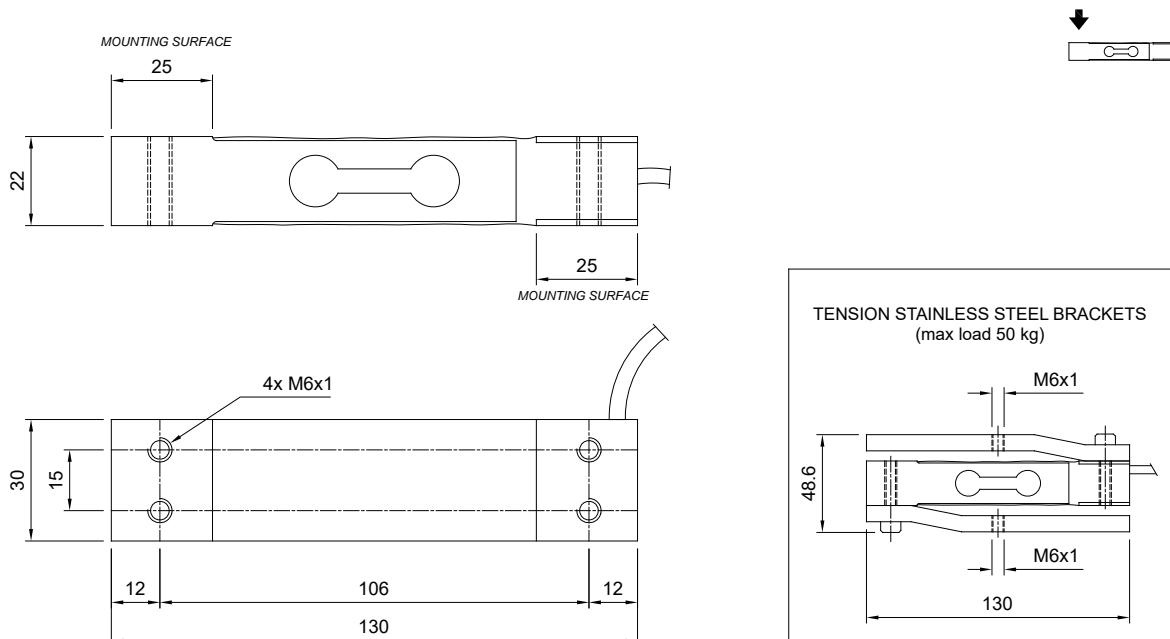
DESCRIPTION

Pair of stainless steel tension brackets.
Maximum static load: 50 kg

CODE

STAFFEALL

DIMENSIONS (mm)

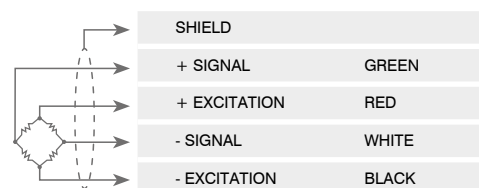


TECHNICAL FEATURES

Material	Aluminum alloy		
OIML R60 Accuracy class • Verification intervals	C3 • 3000	C4 • 4000	C5 • 5000
Nominal load (E max)	3 - 5 - 10 - 15 - 20 - 30 - 50 kg		
Minimum verification interval (V min)	E max / 10000	E max / 15000	E max / 20000
Combined error	≤ ±0.02%	≤ ±0.017%	≤ ±0.014%
Protection class	IP65		
Rated output	2 mV/V ±10%	Input resistance	409 Ω ±6
Temperature effect on zero	0.0017% °C	Output resistance	350 Ω ±3
Temperature effect on span	0.0014% °C	Zero balance	≤ ±2%
Compensated temperature range	-10 °C / +40 °C	Insulation resistance	≥5000 MΩ
Operating temperature range	-35 °C / +65 °C	Safe overload (% of full scale)	150%
Creep at nominal load in 30 minutes	0.015%	Ultimate overload (% of full scale)	300%
Max supply voltage without damage	18 V	Deflection at nominal load	0.5 mm

ELECTRICAL CONNECTIONS

Cable length	3 m
Cable diameter	3.8 mm
Cores	4 x 0.20 mm ²



The Company reserves the right to make changes to the technical data, drawings and images without notice.