

AS

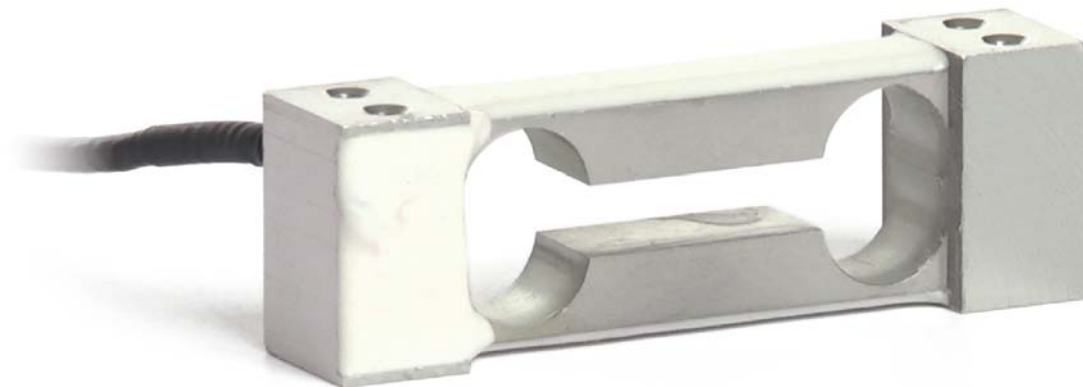
SINGLE-POINT LOAD CELL for platforms 200x200 mm

LAUMAS[®]
ELETTRONICA



Manufactured according to OIML R60 standards

Capacity from 0.25 kg to 1 kg



- ALUMINUM ALLOY
- COMBINED ERROR $\leq \pm 0.03\%$
- PROTECTION CLASS IP65

CAPACITY	kg					PLATFORM DIMENSION (mm)	NET WEIGHT OF LOAD CELL (kg)	CODE
0.25		•	•	•		200 x 200	0.1	AS025
0.5		•	•	•		200 x 200	0.1	AS05
1		•	•	•		200 x 200	0.1	AS1

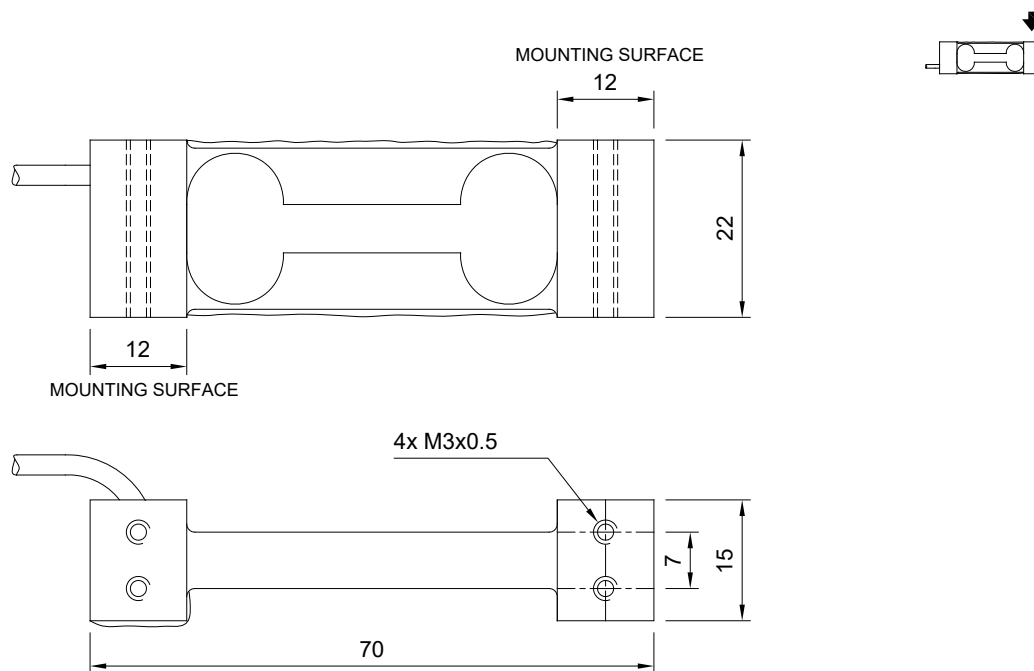
ON REQUEST

CERTIFICATIONS

CERTIFICATIONS ON REQUEST

	ATEX II 1GD (zone 0-1-2-20-21-22)
	IECEx (zone 0-1-2-20-21-22)
	Complies with the Eurasian Custom Union standards
	Complies with the Eurasian Custom Union standards for use in potentially explosive atmospheres

DIMENSIONS (mm)

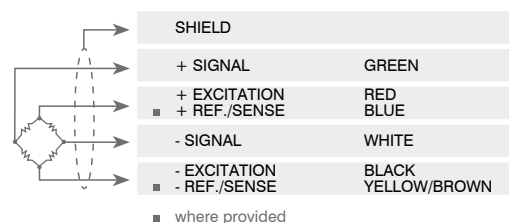


TECHNICAL FEATURES

Material	Aluminum alloy		
Nominal load (E max)	0.25 - 0.50 - 1.00 kg		
Combined error	$\leq \pm 0.03\%$		
Protection class	IP65		
Rated output	1 mV/V $\pm 15\%$	Input resistance	410 $\Omega \pm 10$
Temperature effect on zero	0.0025% $^{\circ}\text{C}$	Output resistance	350 $\Omega \pm 3$
Temperature effect on span	0.0025% $^{\circ}\text{C}$	Zero balance	$\pm 2\%$
Compensated temperature range	-10 $^{\circ}\text{C}$ / +40 $^{\circ}\text{C}$	Insulation resistance	>2000 M Ω
Operating temperature range	-20 $^{\circ}\text{C}$ / +60 $^{\circ}\text{C}$	Safe overload (% of full scale)	200%
Creep at nominal load in 30 minutes	0.03%	Ultimate overload (% of full scale)	400%
Max supply voltage without damage	15 V	Deflection at nominal load	0.3 mm

ELECTRICAL CONNECTIONS

Cable length	3 m
Cable diameter	2.5 mm
Cores	4/6 x 0.20 mm ²



The Company reserves the right to make changes to the technical data, drawings and images without notice.