



Capacity from 100 kg to 12500 kg



- 17-4 PH STAINLESS STEEL
- COMBINED ERROR  $\leq \pm 0.02\%$
- PROTECTION CLASS IP68

CAPACITY	kg	ACCURACY CLASS C3				EAC	EAC Ex	NET WEIGHT OF LOAD CELL (kg)	CODE
100		–	–	•	•	•		0.7	CTL100
200		–	–	•	•	•		0.7	CTL200
300		–	–	•	•	•		0.7	CTL300
500		•	•	•	•	•		1.4	CTL500
1000		•	•	•	•	•		1.4	CTL1000
2500		•	•	•	•	•		1.4	CTL2500
5000		•	•	•	•	•		2.6	CTL5000
7500		•	•	•	•	•		2.7	CTL7500
10000		•	•	•	•	•		3.7	CTL10000
12500		•	•	•	•	•		4.8	CTL12500

ON REQUEST

### CERTIFICATIONS



OIML R60 C3

#### CERTIFICATIONS ON REQUEST



Declaration of conformity + IP69K marking protection rating

Water protection when cleaning high pressure / steam jet (Test: pressurized hot water is sprayed from a distance of 150 mm).  
Water pressure 100 bar; temperature 80 ° C; test duration 250 seconds (Reference standard DIN 40050-9).



Calibration report (ACCREDIA LAT traceability)



ATEX II 1GD (zone 0-1-2-20-21-22)



IECEx (zone 0-1-2-20-21-22)



Complies with the Eurasian Custom Union standards



Complies with the Eurasian Custom Union standards for use in potentially explosive atmospheres



In compliance with the regulations of the Russian Federation for legal use with third parties


### OPTIONS ON REQUEST

#### DESCRIPTION

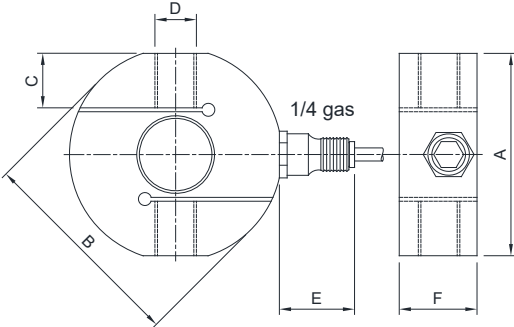


Two redundant strain gauges Wheatstone bridges (350 Ω) with two output cables; for dual safety systems

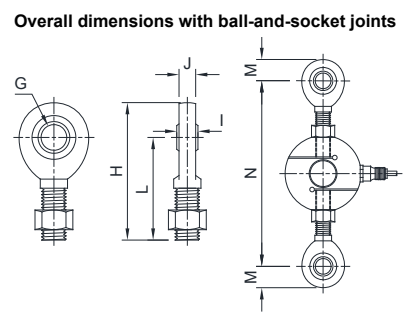
### COMPLEMENTARY ACCESSORIES

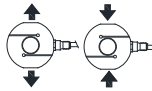
DESCRIPTION	CODE
 <p>Special steel ball-and-socket joint with nut.</p>	Dimensions:
	M12x1.75
	M16x2
	M20x1.5
	M24x2
	M30x2
M36x3	
Load cell capacity:	
100-300 kg	EM12DADO
500-1000 kg	EM16DADO
2500 kg	EM20DADO
5000-7500 kg	EM25DADO
10000 kg	EM30DADO
12500 kg	EM35DADO

### DIMENSIONS (mm)



**Overall dimensions with ball-and-socket joints**





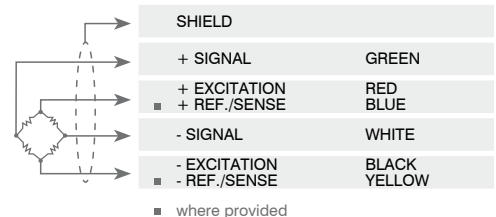
	100 kg 200 kg 300 kg	500 kg 1000 kg	2500 kg	5000 kg 7500 kg	10000 kg	12500 kg
A	60	78	78	90	103	120
B	63	82	82	102	114	129
C	14.5	21	21	24	30.5	37
D	M12x1.75	M16x2	M20x1.5	M24x2	M30x2	M36x3
E	29	29	29	29	29	29
F	22	30	30	45	50	55
G	Ø12	Ø17	Ø20	Ø25	Ø30	Ø35
H	71	92	104.5	126	146.5	181
I	10	14	16	20	22	25
J	8.5	11.5	13.5	17.5	19.5	21.5
L	54.5	69.5	77.5	94.5	110	140
M	16.5	22.5	27	31.5	36.5	41
N(=)	143	175	190	235	260	324

### TECHNICAL FEATURES

Material	17-4 PH stainless steel	
OIML R60 Accuracy class • Verification intervals	- C3 • 3000	
Nominal load (E max)	100 - 200 - 300 kg	500 - 1000 - 2500 - 5000 kg 7500 - 10000 - 12500 kg
Minimum verification interval (V min)	E max / 10000	
Combined error	≤ ±0.02%	
Protection class	IP68	
Rated output	2 mV/V ±0.1%	Input resistance 350 Ω ±5
Temperature effect on zero	0.005% °C	Output resistance 350 Ω ±2
Temperature effect on span	0.003% °C	Zero balance ±1%
Compensated temperature range	-10 °C / +50 °C	Insulation resistance ≥5000 MΩ
Operating temperature range	-20 °C / +70 °C	Safe overload (% of full scale) 150%
Creep at nominal load in 30 minutes	0.05%	Ultimate overload (% of full scale) 300%
Max supply voltage without damage	15 V	Deflection at nominal load 0.3 mm

### ELECTRICAL CONNECTIONS

Cable length	10 m
Cable diameter	5 mm
Cores	4 x 0.25 mm <sup>2</sup> /6 x 0.14 mm <sup>2</sup>



The Company reserves the right to make changes to the technical data, drawings and images without notice.