

CE Capacity up to 20 tons



CAPACITY	kg	DIVISION	(kg)	NET WEIGHT	(kg)	CODE
max 500		e=0.1		4.8		DTEN500
max 1000		e=0.2		4.8		DTEN1
max 3000		e=0.5		15.8		DTEN3
max 5000		e=1		23.2		DTEN5
max 10000		e=2		46		DTEN10
max 20000		e=5		75		DTEN20

DESCRIPTION

- Diacast aluminum crane scale with top shackle and bottom hook (swivel hook for DTEN500/1); suitable for bridge cranes.
- IP64 protection class
- Traction oversized load cell to ensure a high standard of safety.
- 5-digit red LED display (30 mm height), 7 segment with power saving function.
- LED display brightness control.
- DTEN500/1: rechargeable internal battery 6V 5Ah, 80-hour operating time.
- DTEN3/5/10/20: rechargeable internal battery 6V 10Ah, 140-hour operating time.
- External battery charger 230 VAC/9 VDC 1A included in the supply.
- Steady weight acoustic alarm.
- Remote control with operating range up to 10 m free field.

MAIN FUNCTIONS

- Hold function (block of the displayed weight).
- Individual weighing and weights totalization.
- Predetermined tare setting.
- Net weight and gross indicator
- Tare weight zero setting.
- Division switching
- Possibility to change the unit of measurement.
- Memory overload.
- Battery charge level control.
- Automatic power saving function.
- Automatic turn off after 15 minutes of inactivity and turn off the crane scale by remote control.

CERTIFICATIONS

CERTIFICATIONS ON REQUEST

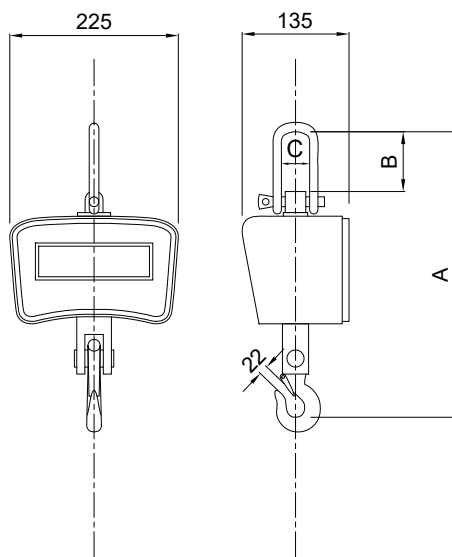
CODE



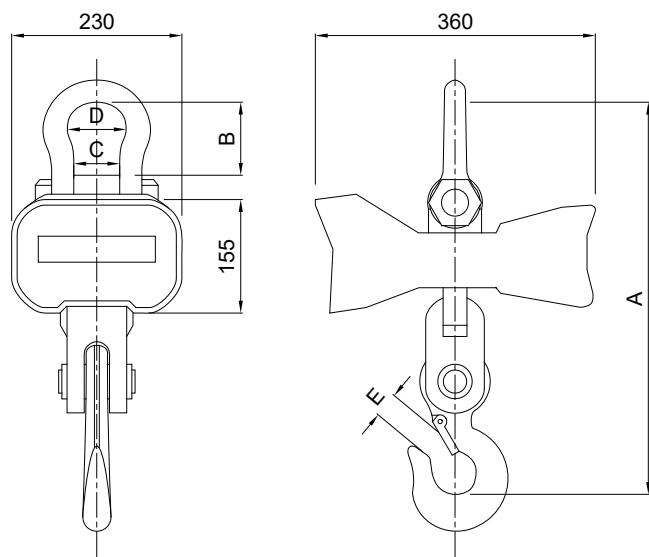
Calibration report (ACCREDIA LAT traceability) - Capacity over 1000 kg

TARATURA

DIMENSIONS (mm)



mm	DTEN500	DTEN1
A	350	375
B	85	85
C	25	25



mm	DTEN3	DTEN5	DTEN10	DTEN20
A	500	590	750	950
B	92	112	130	220
C	41	58	60	80
D	74	90	95	140
E	32	35	55	75

TECHNICAL FEATURES

Accuracy class (% of full scale)	± 0.03%
Safe overload (% of full scale)	150%
Ultimate overload (% of full scale)	400%
Humidity (condensate free)	10÷90%
Working temperature	-10°C +40°C
Display stability time	10/s

The Company reserves the right to make changes to the technical data, drawings and images without notice.