

DTEZ

PORTABLE DIGITAL CRANE SCALE

LAUMAS®
ELETTRONICA

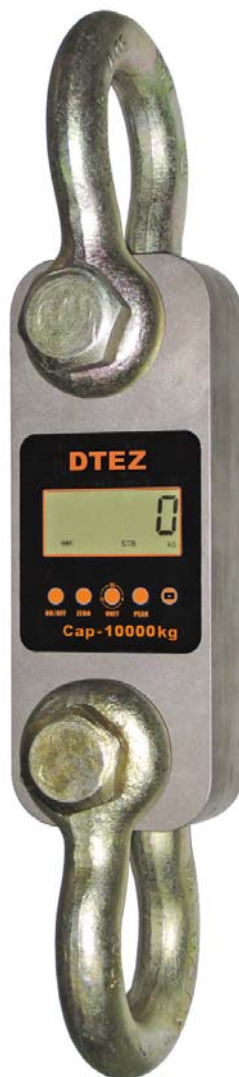
CE Capacity up to 30 tons

DESCRIPTION

- High-strength aluminum alloy crane scales (capacity 3000/5000 kg) and steel crane scales (capacity 10000/20000/30000 kg) with top and bottom shackle.
- IP64 protection class.
- Traction oversized load cell to ensure a high standard of safety.
- 5-digit backlit LCD display (25 mm height), 7 segment with power saving function.
- 3 AA 1.5V batteries, 50-hour operating time.
- Steady weight and battery charge level signaling LEDs
- Aluminum briefcase included for 3 to 10 tons capacity.
- Hook for 3 to 10 tons capacity (option on request).
- Remote controls with operating range up to 15 m free field (options on request).

MAIN FUNCTIONS

- Weight totalizing.
- Weight zero setting.
- Tare weight zero setting.
- Net weight and gross indicator.
- Possibility to change the unit of measurement: kg, t, N, kN, lb.
- Displaying of the maximum weight value reached (peak).
- Battery charge level control.
- Automatic power saving function.
- Automatic turn off after 30 minutes of inactivity.
- Weight display and access to weighing and calibration functions via remote controls.
- Print receipt with weighing data (opt. TELEDTEZPRINT).



BRIEFCASE INCLUDED FOR 3 TO 10 TONS CAPACITY



HOOK
(option on request)



REMOTE CONTROLS FOR AUTONOMATICAL CALIBRATION
(options on request)



CAPACITY	kg	DIVISION	(kg)	CRANE SCALES NET WEIGHT	(kg)	HOOK NET WEIGHT	(kg)	CODE
max 3000		e=1		6.4		3		DTEZ3
max 5000		e=2		8.8		5.5		DTEZ5
max 10000		e=5		24.7		5.9		DTEZ10
max 20000		e=10		44.7		-		DTEZ20
max 30000		e=10		63		-		DTEZ30

CERTIFICATIONS

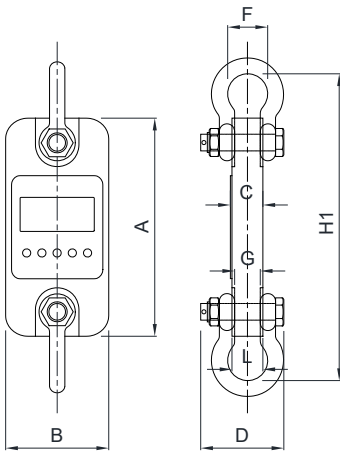
CERTIFICATIONS ON REQUEST	CODE
✓ Calibration report (ACCREDIA LAT traceability) - Capacity over 1000 kg	TARATURA

Rev. 00 del 12/03/2015

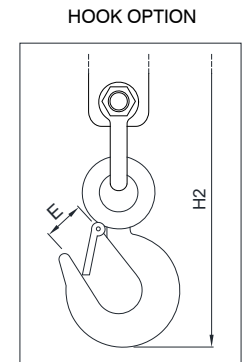
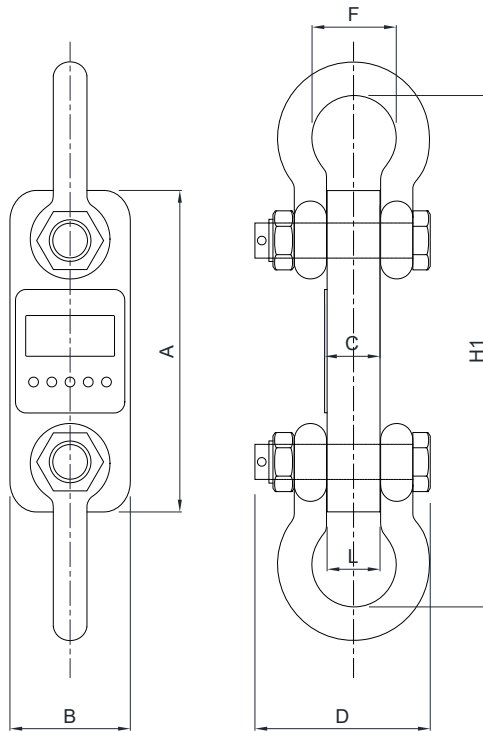
DTEZ

PORTABLE DIGITAL CRANE SCALE

DIMENSIONS (mm)



mm	DTEZ3	DTEZ5
A	260	285
B	123	123
C	39	55
D	103	120
H1	365	405
H2	555	635
E	55	65
F	Ø51	Ø58
G	30	34
L	37	53






mm	DTEZ10	DTEZ20	DTEZ30
A	320	375	420
B	120	128	138
C	55	72	84
D	183	230	265
H1	535	660	740
H2	840	-	-
E	95	-	-
F	Ø92	Ø127	Ø146
G	-	-	-
L	53	70	82

TECHNICAL FEATURES

Accuracy class (% of full scale)	± 0.01%
Safe overload (% of full scale)	150%
Ultimate overload (% of full scale)	400%
Humidity (condensate free)	10÷90%
Working temperature	-10°C +40°C
Display stability time	10/s

OPTIONS ON REQUEST

	DESCRIPTION	CODE
	Remote control for weight display via radio. Up to 15 m distance.	TELEDETEZ
	Remote control for display and printer weight via radio. Up to 15 m distance.	TELEDETEZPRINT
	Hook for capacity: - up to 3000 kg - 3000÷5000 kg - 5000÷10000 kg	GANCIO3TDTEZ GANCIO5TDTEZ GANCIO10TDTEZ

The Company reserves the right to make changes to the technical data, drawings and images without notice.