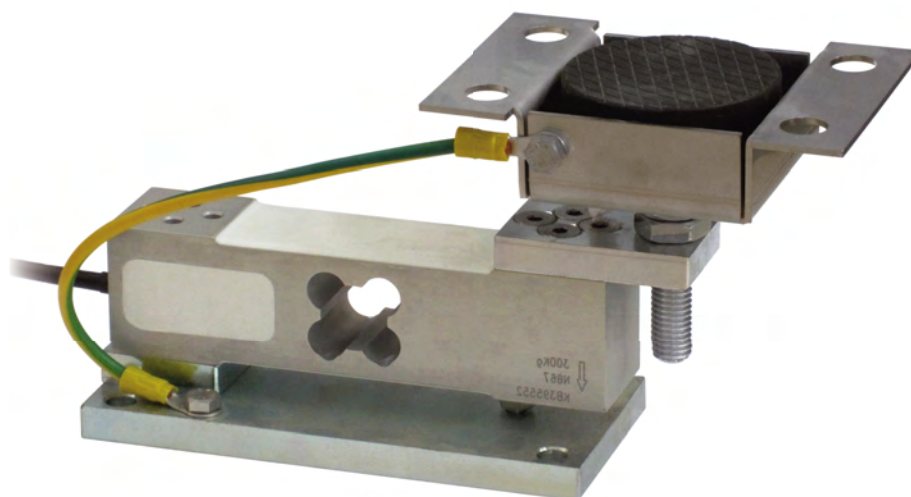


T8

MOUNTING KIT for SINGLE POINT load cells

Series load cells: AZLI - AZL - AZS - AM

Application range from 10 to 300 kg



MAX STATIC LOAD kg	FOR LOAD CELLS	NET WEIGHT OF MOUNTING KIT (kg)	CODE
50	AZLI (max 50 kg)	1.7	T8AZLI
100	AZL (max 100 kg)	1.7	T8AZL
200	AZS	1.7	T8AZS
300	AM	1.7	T8AM

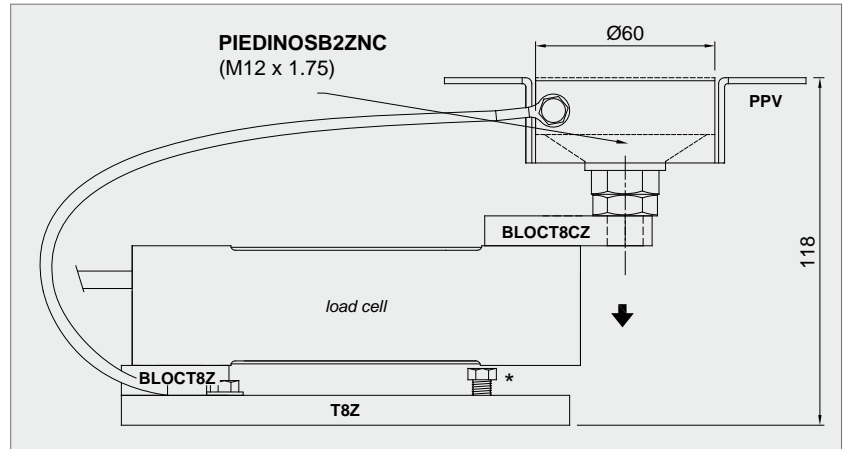
Load cell not included

DESCRIPTION

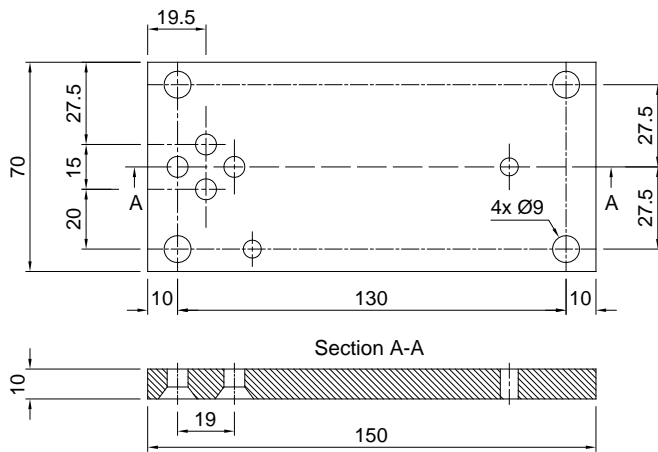
- Adjustable upper plate in AISI 304 stainless steel (PPV).
- Lower plate and block in galvanized steel.
- Constraint against lateral forces and anti-tilt by nickel-plated self-centring joint foot.
- Misalignment compensation of the support plates structure.
- Adjustable height.
- Locking screw to avoid damage during transport and installation.

DIMENSIONS AND TECHNICAL SPECIFICATIONS

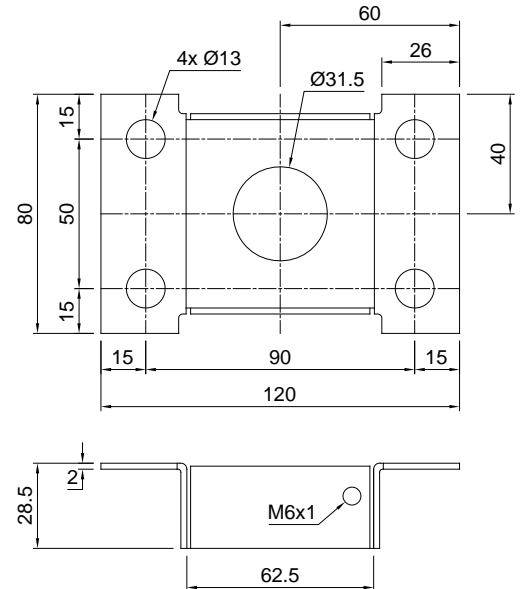
- During the transport and installation the lock (*) must touch under the load cell. After installation, move the lock away from the load cell.
- Interconnect the lower plates to the earthing.
- In case of structure with four-point support, if one-point does not touch the support base of the foot, you must proceed to adjust foot height.



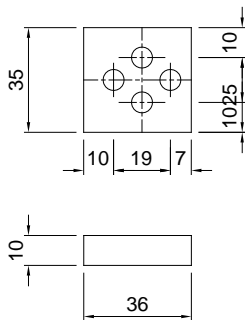
T8Z



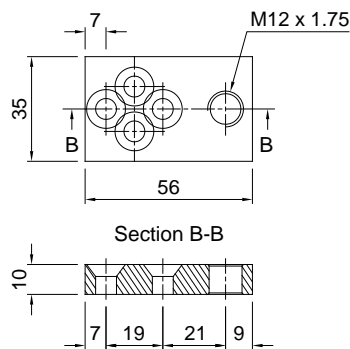
PPV



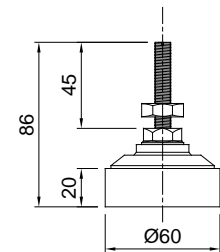
BLOCT8Z



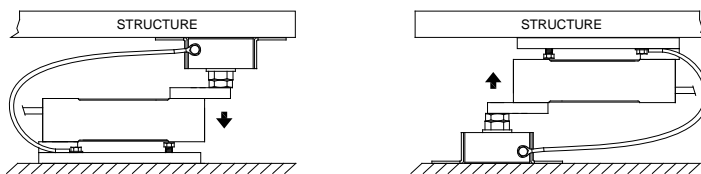
BLOCT8CZ



PIEDINOSB2ZNC
M12 x 1.75 mm



MOUNTING AND PLACING STRUCTURE



POSSIBLE PPV UPPER PLATE POSITIONS

