



Capacity from 15000 kg to 50000 kg



- SPECIAL STEEL
- COMBINED ERROR  $\leq \pm 0.02\%$
- PROTECTION CLASS IP68

CAPACITY	kg	ACCURACY CLASS C3			EAC	EAC Ex	NET WEIGHT OF LOAD CELL (kg)	CODE
15000		•	•	•	•	•	3.3	COK15000
25000		•	•	•	•	•	3.5	COK25000
50000		•	•	•	•	•	3.7	COK50000
25000	Anti-rat Cable	•	•	•	•	•	4	COK25000AR

ON REQUEST

### CERTIFICATIONS

OIML R60 C3

CERTIFICATIONS ON REQUEST

ATEX II 1GD (zone 0-1-2-20-21-22)

IECEx (zone 0-1-2-20-21-22)

Complies with the Eurasian Custom Union standards

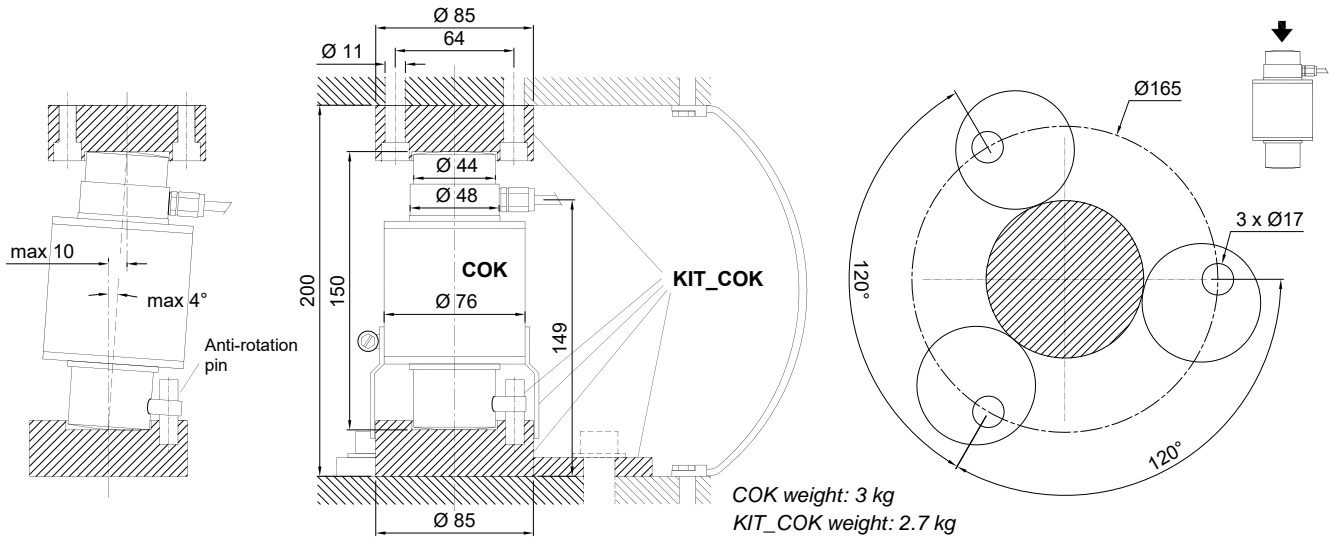
Complies with the Eurasian Custom Union standards for use in potentially explosive atmospheres

In compliance with the regulations of the Russian Federation for legal use with third parties

### COMPLEMENTARY ACCESSORIES

	DESCRIPTION	CODE
	Special steel mounting kit composed by protective rubber seal, 2 bases (upper and lower) and 3 self-centering cylindrical plates.	KIT_COK

### DIMENSIONS (mm)



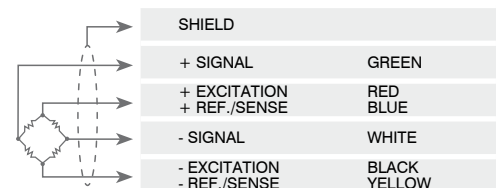
### TECHNICAL FEATURES

Material	Special steel
OIML R60 Accuracy class • Verification intervals	C3 • 3000
Nominal load (E max)	15000 - 25000 - 50000 kg
Minimum verification interval (V min)	E max / 10000
Combined error	≤ ±0.02%
Protection class	IP68

Rated output	2 mV/V ±0.1%	Input resistance	780 Ω ±20
Temperature effect on zero	0.002% °C	Output resistance	700 Ω ±10
Temperature effect on span	0.002% °C	Zero balance	±1%
Compensated temperature range	-10 °C / +40 °C	Insulation resistance	≥5000 MΩ
Operating temperature range	-30 °C / +70 °C	Safe overload (% of full scale)	150%
Creep at nominal load in 30 minutes	0.02%	Ultimate overload (% of full scale)	250%
Max supply voltage without damage	15 V	Deflection at nominal load	0.6 - 1 mm

### ELECTRICAL CONNECTIONS

Cable length	20 m
Cable diameter	6 mm
Cores	6 x 0.22 mm <sup>2</sup>



The Company reserves the right to make changes to the technical data, drawings and images without notice.