

# PV80 / PV80Z

MOUNTING KIT for SHEAR BEAM load cells

LAUMAS®  
ELETTRONICA

Series load cells: FTP - FTZ - FTK

Application range from 3000 to 5000 kg



MAX STATIC LOAD kg	FOR LOAD CELLS	NET WEIGHT OF MOUNTING KIT (kg)	CODE
5000	FTP - FTZ	6.9	PV80
5000	FTK	6.7	PV80Z

Load cell not included.

## DESCRIPTION

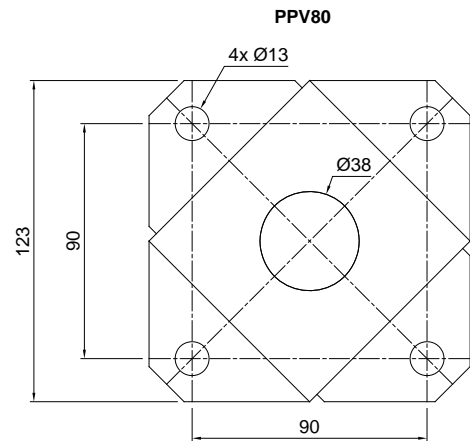
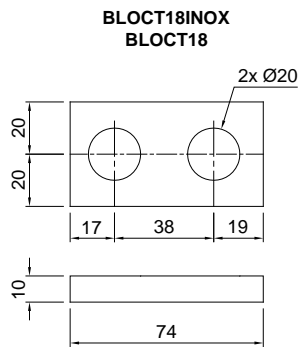
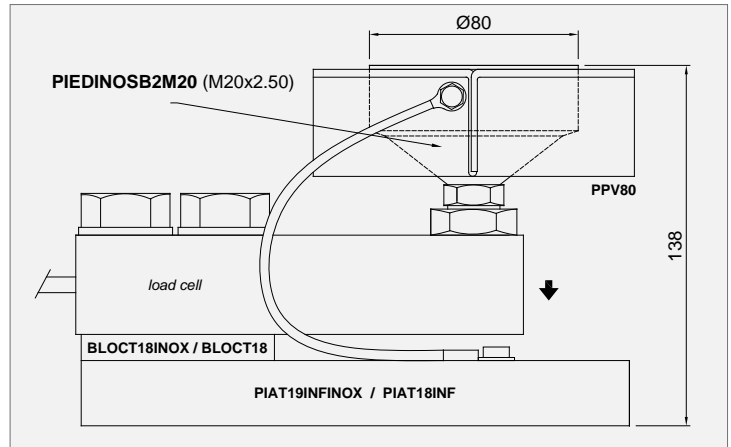
- Adjustable upper plate in AISI 304 stainless steel (PPV).
- Lower plate and block in (PV80) AISI 304 stainless steel or (PV80Z) galvanized steel.
- Constraint against lateral forces and anti-tilt by in stainless steel self-centring joint foot.
- Misalignment compensation of the support plates structure.
- Adjustable height.
- Locking screw to avoid damage during transport and installation.

# PV80 / PV80Z

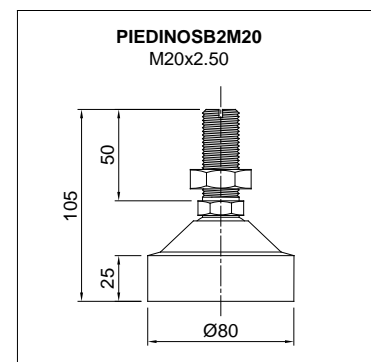
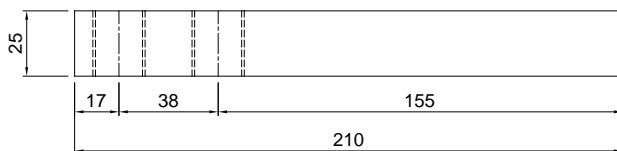
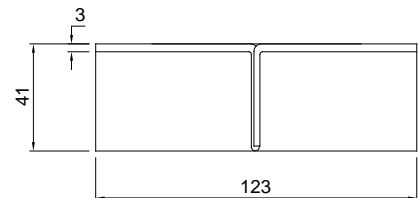
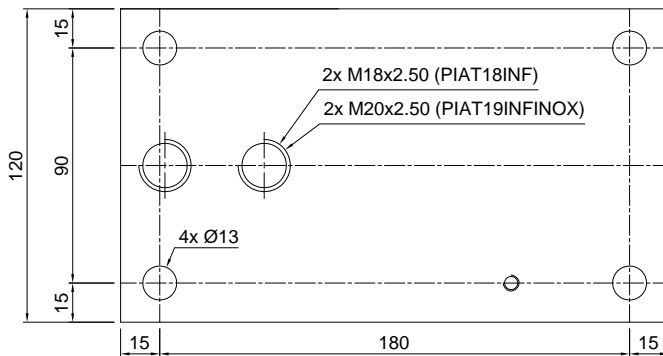
## MOUNTING KIT for SHEAR BEAM load cells

### DIMENSIONS AND TECHNICAL SPECIFICATIONS

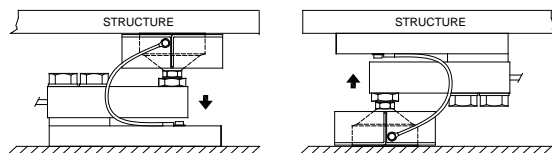
- During the transport and installation the lock (\*) must touch under the load cell. After installation, move the lock away from the load cell.
- Interconnect the plates to the earthing.
- In case of structure with four-point support, if one-point does not touch the compression joint, you must proceed to insert a shim before fixing the bolts.



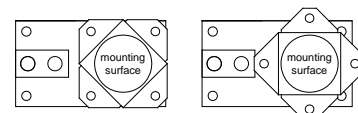
PIAT19INFINOX PIAT18INF



### MOUNTING AND PLACING STRUCTURE



### POSSIBLE PPV UPPER PLATE POSITIONS



The Company reserves the right to make changes to the technical data, drawings and images without notice.