



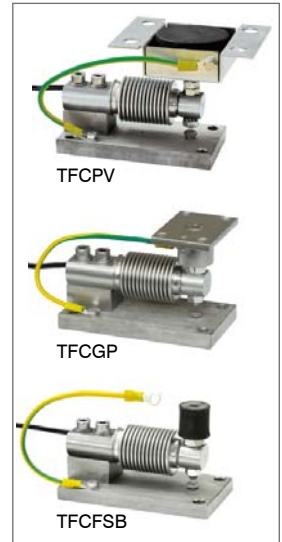
Manufactured according to OIML R60 standards

Capacity from 5 kg to 10 kg



- 17-4 PH STAINLESS STEEL
- COMBINED ERROR $\leq \pm 0.02\%$
- PROTECTION CLASS IP68

MOUNTING KITS



CAPACITY	kg	IECEx	Ex	EAC	EAC Ex	NET WEIGHT OF LOAD CELL (kg)	CODE
	5	•	•	•		0.4	FCK5
	10	•	•	•		0.4	FCK10

ON REQUEST

CERTIFICATIONS

EAC Complies with the Eurasian Custom Union standards

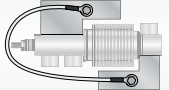
CERTIFICATIONS ON REQUEST

Ex ATEX II 1GD (zone 0-1-2-20-21-22)

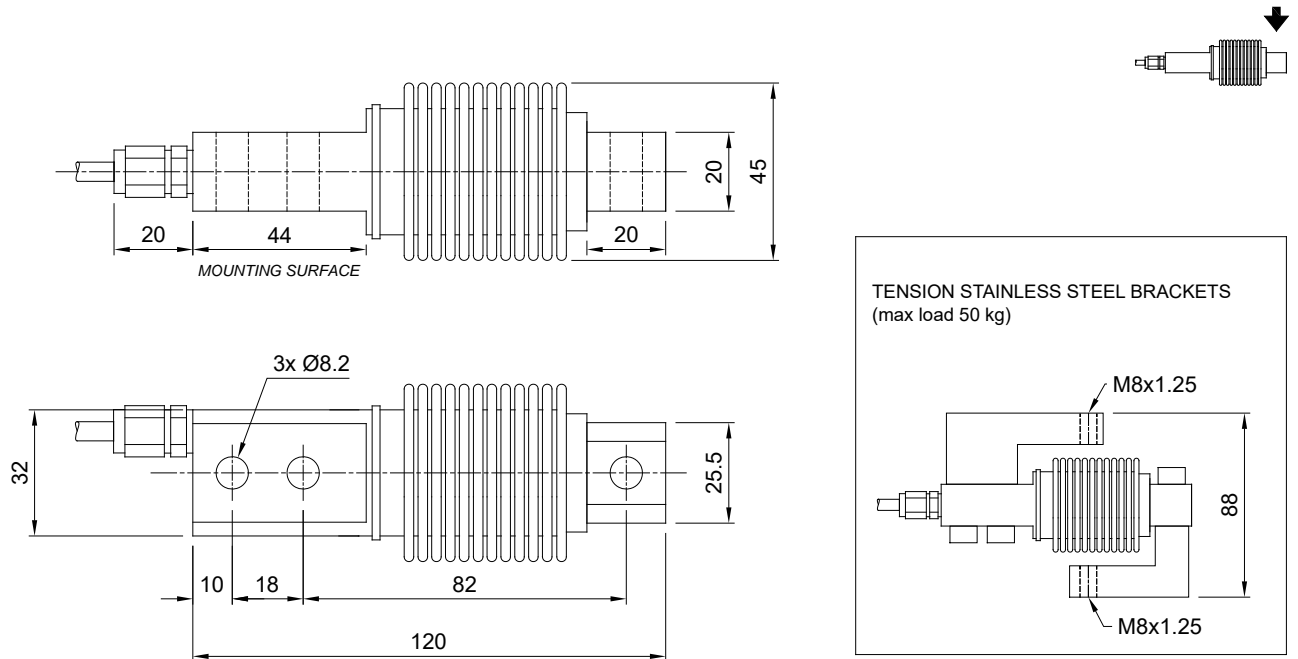
IECEx IECEx (zone 0-1-2-20-21-22)

EAC Ex Complies with the Eurasian Custom Union standards for use in potentially explosive atmospheres

COMPLEMENTARY ACCESSORIES

DESCRIPTION	CODE
 <p>Pair of tension stainless steel brackets. Maximum static load: 100 kg</p>	STAFFEFC

DIMENSIONS (mm)



TECHNICAL FEATURES

Material	17-4 PH stainless steel		
Nominal load (E max)	5 - 10 kg		
Combined error	≤ ±0.02%		
Protection class	IP68		
Rated output	2 mV/V ±1%	Input resistance	400 Ω ±20
Temperature effect on zero	0.002% °C	Output resistance	352 Ω ±3
Temperature effect on span	0.002% °C	Zero balance	±2%
Compensated temperature range	-10 °C / +40 °C	Insulation resistance	>5000 MΩ
Operating temperature range	-30 °C / +65 °C	Safe overload (% of full scale)	150%
Creep at nominal load in 30 minutes	0.02%	Ultimate overload (% of full scale)	200%
Max supply voltage without damage	15 V	Deflection at nominal load	0.4 mm

ELECTRICAL CONNECTIONS

Cable length	3 m
Cable diameter	4 mm
Cores	4/6 x 0.22 mm ²

