

# CASTLM8I 3A

HYGIENIC STAINLESS STEEL BOX FOR TLM8 WEIGHT TRANSMITTER

LAUMAS®



TLM8 instrument not included.  
To know the functions and technical features of the instrument, refer to the dedicated data sheet.



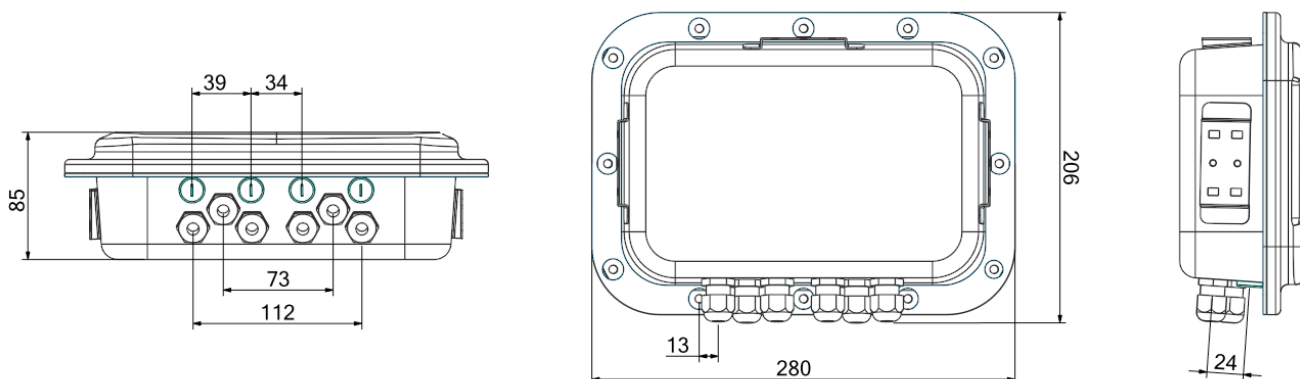
- Hygienic box in AISI 304 stainless steel for TLM8 multichannel weight transmitter.
- Hygienic device RPSCQC authorized by 3-A SSI.
- Dimensions: 280x206x85 mm.
- Supports for front panel mounting included.
- IP69K protection rating.
- 6 M12x1.5 cable glands.
- 5-key keyboard.
- TEST key for direct access to the diagnostic functions.

## CERTIFICATIONS



American standard that regulates the design, production and use of hygienic equipment

## DIMENSIONS (mm)



The Company reserves the right to make changes to the technical data, drawings and images without notice.