

ENGLISH



ENGLISH



ENGLISH



ENGLISH

# Installation and maintenance instructions version 1.00

## FLC3A



## SYMBOLS

Here are the symbols used in the manual to draw the reader's attention:



Caution! Risk of electric shock.



Caution! This operation must be performed by skilled personnel.



Pay particular attention to the following instructions.



Further information.

## WARRANTY

24 months from the date of the delivery note. Warranty covers only failures of defective components (due to construction defects or defects in materials) and includes replacement or repair of the components and related labor costs.

Warranty is automatically forfeited in the event of:

- tampering, deletion, removal of the identification label and/or serial number of the product
- misuse, transformation, alteration, repair of products not carried out by Laumas personnel

Laumas provides a 1-year warranty from the date of the delivery note on defects in material or manufacture of the battery.

## GUIDELINES FOR PROPER DISPOSAL



**Sealed Lead Acid  
Battery  
Must be recycled  
Properly**

This symbol on the product or packaging indicates that:

- This is electrical/electronic equipment and cannot be disposed of as municipal solid waste, but must be delivered to a recycling center
- Improper use or disposal can pollute the environment or damage human health
- Non-compliance with these guidelines will be penalized in accordance with the regulations in force in the country of destination
- It is recommended to dispose of the packing and packaging as required by local regulations

## TABLE OF CONTENTS

<b>USER WARNINGS</b> .....	<b>1</b>
<b>PARTS IDENTIFICATION</b> .....	<b>2</b>
<b>TECHNICAL SPECIFICATIONS</b> .....	<b>3</b>
<b>INSTALLATION</b> .....	<b>3</b>
<b>SANITIZATION AND MAINTENANCE</b> .....	<b>1</b>
<b>SANITIZATION</b> .....	<b>1</b>
<b>MAINTENANCE</b> .....	<b>1</b>

## USER WARNINGS

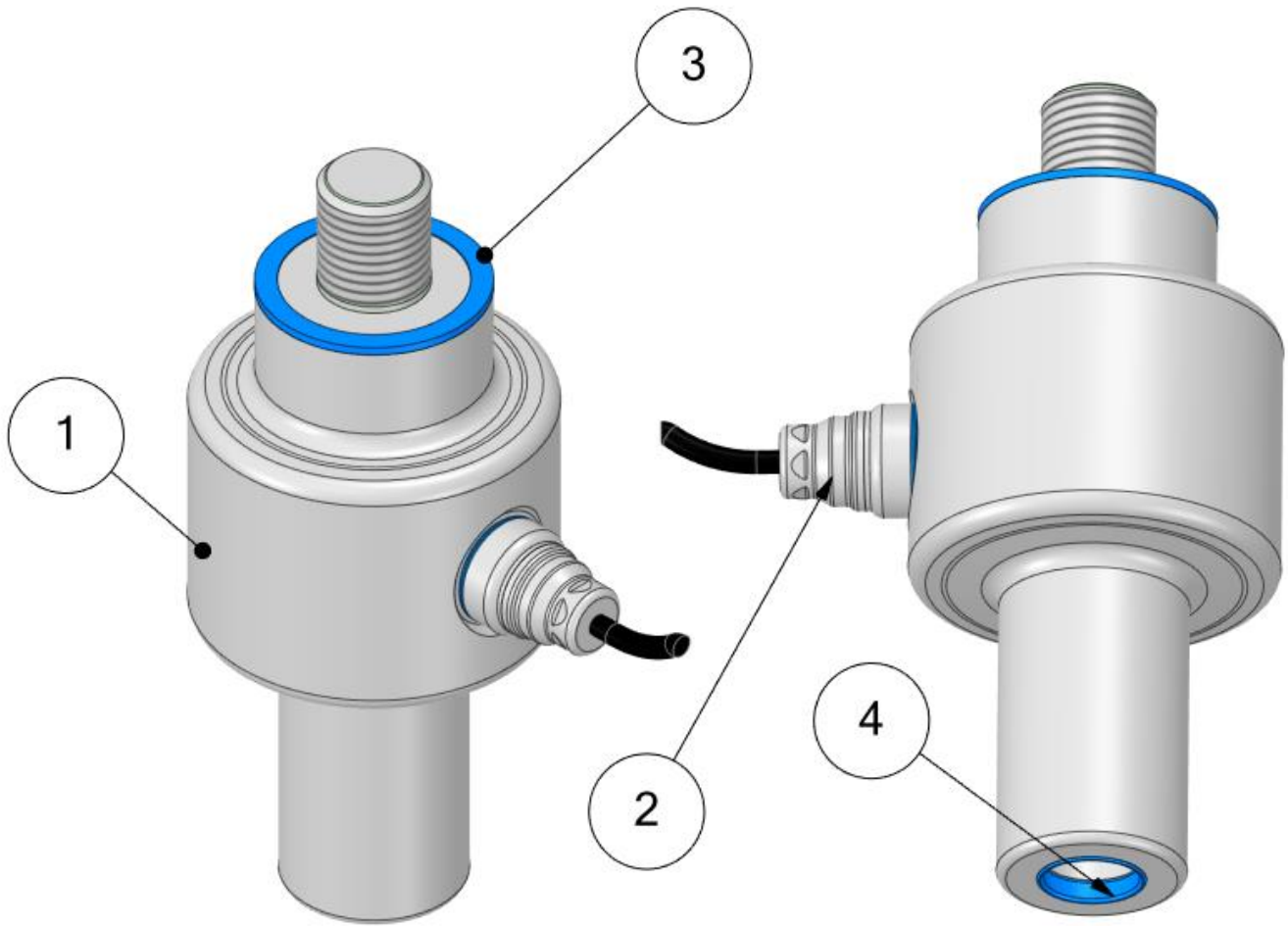
### RECOMMENDATIONS FOR THE PROPER USE OF WEIGHING INSTRUMENT

- Keep away from heat sources;
- Do not dip in water;
- Do not install in areas subject to explosion hazard.

The following table shows the material of the instrument components exposed to external agents:

<b>COMPONENT</b>	<b>MATERIAL</b>	<b>DETAILS</b>
Load cell body	Stainless steel	17-4PH
Top seal	Silicone Food Grade	3A certificate
Bottom seal	Silicone Food Grade	3A certificate
Cable gland	Stainless steel	EHEDG certificate

## PARTS IDENTIFICATION



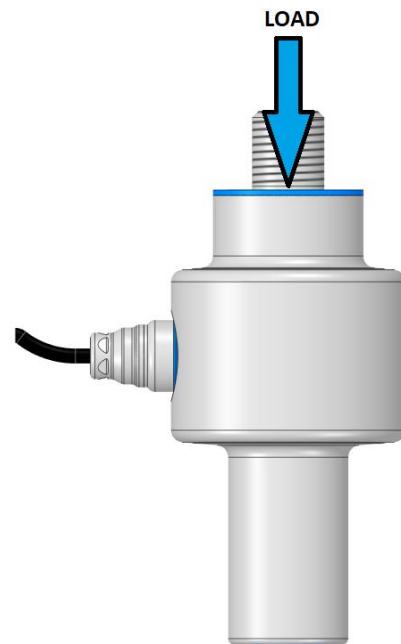
1. Load cell body
2. Cable gland
3. Top seal
4. Bottom seal

## TECHNICAL SPECIFICATIONS

PROTECTION RATING	IP68, IP69K
WORKING TEMPERATURE	-20 °C +70 °C
COMPENSATED TEMPERATURE RANGE	-10 °C +50 °C
SAFE OVERLOAD (% of full scale)	150%
ULTIMATE OVERLOAD (% of full scale)	300%
RATED OUTPUT	2.0 mV/V

## INSTALLATION

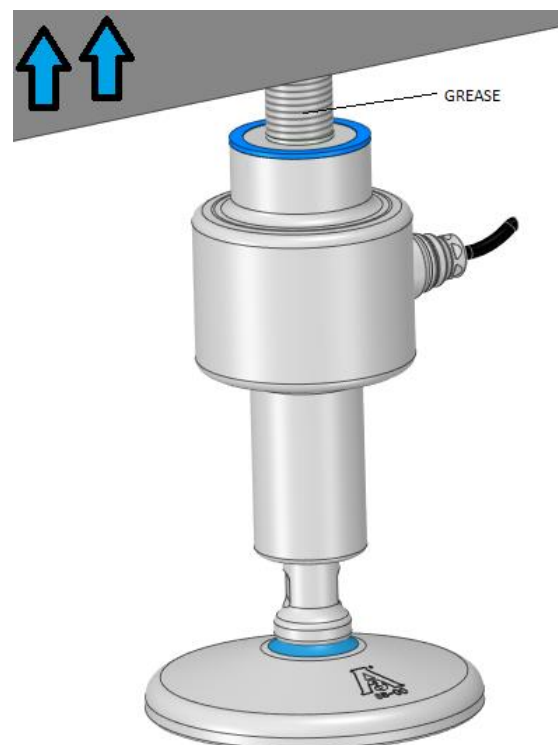
- check the slope of the floor and select a foot that compensates for the inclination so that the load cell is loaded in a perfectly axial way.



- lift the structure to be weighed and grease the thread with Food Grade grease;



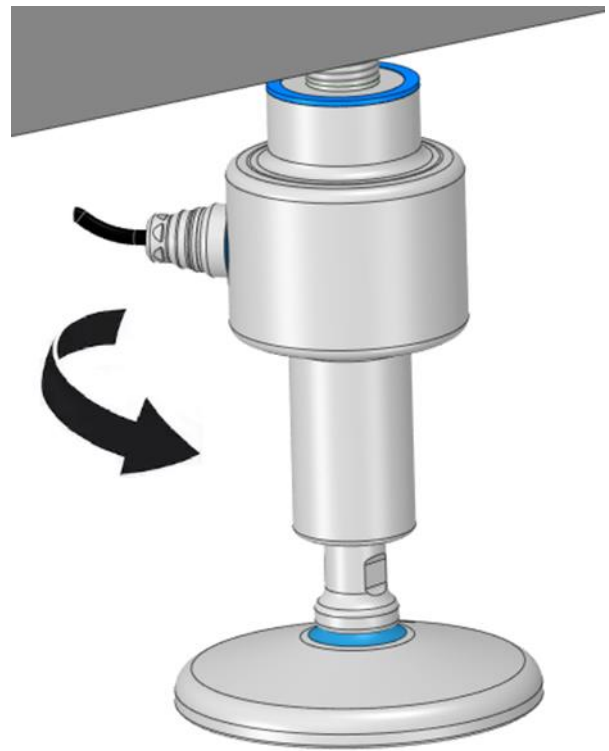
Make sure that the base of the structure to be weighed is clean and perfectly flat to allow the seal to work correctly.



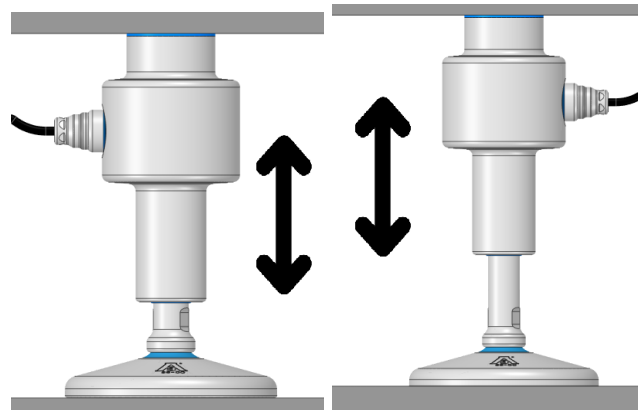
- rotate the load cell and tighten by hand, taking care to remove excess grease;



If you want to tighten with greater force or with preload, use a tool, for example a rubber jaw pliers, which will not scratch or damage the load cell.



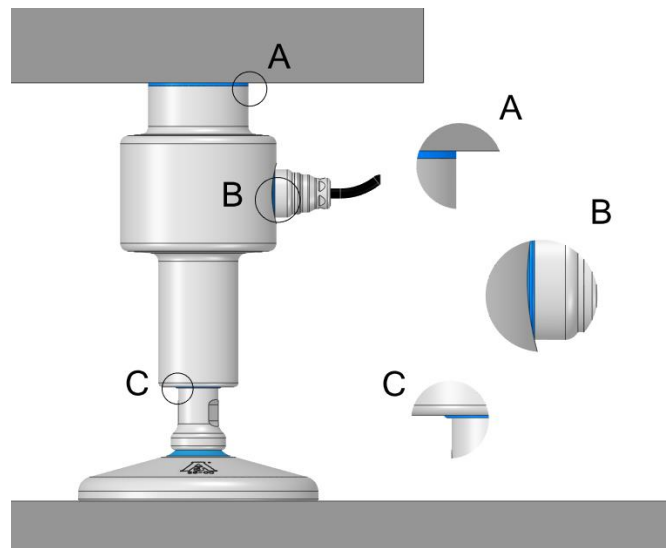
- adjust the height of the load cell according to your needs.



## SANITIZATION AND MAINTENANCE

### SANITIZATION

- 1) Perform a first rinse with water at a maximum temperature of 40 °C.
- 2) Distribute an alkaline detergent at a maximum temperature of 100 °C and leave it to act for about 10 minutes, respecting the supplier's concentration specifications.
- 3) Rinse with water at a maximum temperature of 100°C: direct a low pressure jet toward the components, at an angle of approximately 45 ° and a distance of at least 300 mm to avoid damaging the seals; pay particular attention to the points indicated in the figure.



- 4) To remove any remaining particles of dirt, use soft brushes or plastic scrapers; do not use abrasive components to avoid damaging the components and altering surface roughness.

### MAINTENANCE

- Periodically check the seals and verify that they are not damaged: if there are any cracks, replace them with genuine spare parts.
- Periodically check the instrument body and cable: if any damage is found, replace the affected part.
- Observe the instructions in the manual regarding the installation and positioning of loads.
- During all maintenance operations, make sure that the bearing surface is clean and that the surrounding area has been sanitized to avoid introducing any particles of dirt.
- To ensure optimum component washability, it is essential that the surface of the stainless steel parts is smooth and free from any scoring or scratches: these defects foster bacterial proliferation and require replacing the part.









On our website [www.laumas.com](http://www.laumas.com) there are videos on the guidelines for correct installation of weighing systems and video tutorials on configuring our transmitters and weight indicators.

All Laumas product manuals are available online. You can download the manuals in PDF format from [www.laumas.com](http://www.laumas.com) by consulting the Products section or the Download Area. Registration is required.

Think about the environment before you print!

**CERTIFICATION OF THE ENVIRONMENTAL MANAGEMENT SYSTEM**  
in accordance with UNI EN ISO 14001.

Laumas contributes to environmental protection by saving on paper consumption.